

CdeR GB Open Pair 2010 Tournament

Condition and Rules of Play

Condition of Play

- The CdeR GB Open 2010 tournament is organized by Club de Recreio (CdeR) and Golden Bauhinia Lawn Bowls Club (GBLBC) and supported by Hong Kong Lawn Bowls Association (HKLBA). The 2-day event will be held on 3rd & 10th October 2010.
- Venue: Grass green of CdeR, KBGC, KCC and USRC
- Tournament Format: Men and Women Pairs
- Round Robin Stage
 - Men Section: 66 teams divided into 11 groups of 6 teams
 - Women Section: 42 teams divided into 7 groups of 6 teams
 - Teams in a group compete with each other in a round robin format.
 - Round robin stage fixture will be posted at venue.
- At the completion of the round robin stage, the top team of each group are qualified for the Knock-out stage, plus:
 - 5 best 2nd position teams for men section (total 16 teams)
 - 1 best 2nd position team for women section (total 8 teams)
- Knock-out Stage
 - Fixture is decided by draw.
 - All games are played at CdeR.
 - The winner of the 1st knock-out game will enter the Cup competition and the losers enter the Plate competition. Subsequent games will adopt single knock-out format.
- Cash prizes will be awarded to the Cup and Plate semi-finalists.
- All players should wear their team T-shirts.
- Overall Schedule

Day 1 (Sunday 3rd October 2010)

Time	Event
09:00 – 10:30	Round 1 (Men – 7 groups)
10:30 – 12:00	Round 1 (Men – 2 groups + Women – 7 groups)
12:00 – 13:30	Round 2 (Men – 7 groups)
13:30 – 15:00	Round 2 (Men – 2 groups + Women – 7 groups)
15:00 – 16:30	Round 3 (Men – 7 groups)
16:30 – 18:00	Round 3 (Men – 2 groups + Women – 7 groups)
18:00 – 19:30	Round 4 (Men – 7 groups)

Day 2 (Sunday 10th October 2010)

Time	Event
09:00 – 10:30	Round 4 (Men – 2 groups + Women – 7 groups)
10:30 – 12:00	Round 5 (Men – 7 groups)
12:00 – 13:30	Round 5 (Men – 2 groups + Women – 7 groups)
14:15 – 15:45	Knockout (Men) at CdeR
15:45 – 17:15	Quarter-finals at CdeR
17:15 – 18:45	Semi-finals at CdeR
18:45 – 20:30	Final at CdeR
20:30 – 10:00	Prize presentation and light dinner at CdeR

- Men Section Teams Grouping

Group	Club	Lead	Skip
A1	CdeR-1	H.E.T. GONCALVES	K C SIU
A2	GBLBC-6	Robin CHOK	Ken CHAN
A3	HKYDT-2	Jason CHOI	Desmond HAU
A4	FC-2	Tommy CHUI	C P SO
A5	CCC-1	FRANKY CHOI	K M CHENG
A6	CLP-2	Fong Kee Cheung, Ken	Szeto CHI
B1	KBGC-2	Tony CHIU	Terence LEE
B2	GBLBC-3	Herman CHAN	FUNG See Tong
B3	AFYP-1	YAU Ka Kwong	Dick LI
B4	SCB-1	Kelvin CHENG	Alfred NG
B5	HKFC-1	Walter KWOK	M H SZE
B6	HKJC-1	Raymond WONG	Kenny TAM
C1	KBGC-6	Albert CHOW	Brian LEE
C2	CdeR-6	Rex WONG	Jimmy WONG
C3	SBSC-1	Alan TAM	Sebastian CHEUNG
C4	KBGC-14	Alex NG	Tony CHAN
C5	TPLBC-1	YU Hon Ming	Terry CHIANG
C6	CCC-3	Daniel HO	Paul LEE
D1	KBGC-3	Raymond HO	Terry LAU
D2	KBGC-4	Edward MA	Edward CHAN
D3	SBSC-2	Clarence CHIU	HAU Wai Ip
D4	IRC-1	Stephen SHEA	Michael WONG
D5	GLBC-1	S K CHAN	Willie LAI
D6	CLP-1	LEE Nim Chuen, Thomas	PUN Chun Wah
E1	GBLBC-5	Calvin CHEUNG	Billy LEUNG
E2	CdeR-5	Johnny MAN	Danny WONG

E3	SBSC-3	Edward HUNG	Terence LUK
E4	TMSA-1	Eddie TANG	Tyson TANG
E5	ZGMB	B L CHEUNG	Alfred PANG
E6	CCC-2	Gary PUN	Walter WOO
F1	KBGC-7	Alan S. K. LO	George CHAN
F2	CdeR-4	David MAK	Francis HOH
F3	GBLBC-2	Stephen SY	Tony CHEUNG
F4	HKCC-2	Howard LOK	Peter WONG
F5	USRC-2	Frankie SIU	Henry WAI
F6	KCC-1	Anthony YIP	Herbert KWOK
G1	KBGC-8	Heron LAU	James CHENG
G2	CdeR-7	Jeff LAU	P M LIU
G3	AFYP-3	O.B. ADEM	Mobin YAU
G4	PDLBC-1	Billy FONG	Simon YAU
G5	HKYDT-1	James PO	PO Ting Hei
G6	IRC-4	William CHENG	David LIU
H1	KBGC-9	Bolly YIM	Colin NAM
H2	GBLBC-4	Stanley HO	Patrick FUNG
H3	HKCC-3	Roxy HO	Doug SHERIDAN
H4	AFYP-2	Nonty LAU	Danny WONG
H5	IRC-2	K C CHING	Benson FUNG
H6	LBTC-1	Simon POON	Ricky WONG
I1	KBGC-5	Chris CHIU	Edward CHEUNG
I2	CdeR-3	K H KWOK, Alex	T B HO, James
I3	HKCC-1	LI Kwong Yu	Hayden YUEN
I4	STSA-1	Kenny SO	W H CHAU
I5	FC-3	K H SIN	LEE Kwan Wang
I6	HKPBC-2	Tommy FUNG	Jeff CHUNG
J1	KBGC-1	Esmond LEE	Stanley LAI
J2	SBSC-4	Michael CHEUNG	Eric LAI
J3	USRC-1	Howard LAI	Mathew LEE
J4	CLBC-1	Michael CL TANG	YUNG Hing Chiu
J5	IRC-3	Paul CHIN	Edmond LEUNG
J6	HKPBC-1	Boris CHOI	Eric YIM
K1	CdeR-2	S K CHOW	Musa KARAMDIN
K2	GBLBC-1	Loman LO	KOK Siu Hoi
K3	HKCC-4	Graeme HAND	Glyn DAVIS
K4	TPLBC-2	Wayne WONG	Bingo WONG
K5	FC-4	Kenny NG	T W MAK
K6	WAI SING	TSE Ming Sang	K M WU

- Women Section Teams Grouping

Team	Club	Lead	Skip
A1	CdeR-4	Shirley Sum	Vicky Yu
A2	FC-1	Pearl Choi	Joyce Au Yeung
A3	GBLBC-1	Lau Siu Ping	Debbie Chan
A4	HKFC-1	YM Wong	Wanis Sze
A5	USRC-3	Yumi Wong	Anna Cheung
A6	VLBC-1	Maria See	Selina Suen
B1	CdeR-2	Candy Ng	Angela Chau
B2	GLBC-1	Cecilia Kwok	Mandy Yu
B3	HKFC-2	Grace Chu	Tammy Tham
B4	IRC-2	Candy Cheng	Daisy Lo
B5	KBGC-1	Cindy Lau	Anna Chan
B6	TMSA-1	Law Yuk Heung	Peggy Tang
C1	HKFC-3	Flora Ni	Connie Wong
C2	IRC-3	Carrie Yeung	Ada Ng
C3	KBGC-3	Liza Poon	Danna Chiu
C4	KCC-1	Pinky Chan	Angel So
C5	NAN YANG	Linda Pek	Peggy Ma
C6	SBSC-3	Millicent Lai	Queenie Lai
D1	HKYDT-2	Yunse Ha	Monica Ho
D2	KCC-2	Maggie Lam	Sonia Chan
D3	SBSC-1	Jessie So	Dreamy Ng
D4	USRC-1	Phyllis Wong	Doris Pang
D5	VLBC-2	Angel Cheng	Gigi Ho
D6	ZGMBC	Shirley Ma	Elisa Cheung
E1	CCC-1	Jessica Leung	Irene Chow
E2	GBLBC-3	Helen Ho	Polly Mak
E3	HKFC-4	Clarissa Wong	Rita Tsui
E4	HKYDT-1	Vivian Yip	Oliver Yu
E5	SBSC-2	Lychee Lai	Olivia Ho
E6	STSA-2	Gabee Chu	Eva Hui
F1	CdeR-1	Priscilla Tang	Rita Tong
F2	FC-2	Joanne Leung	Forence Lau
F3	GBLBC-2	Esther Chan	Melva Poon
F4	GLBC-2	Wan Mui	Monica Ho
F5	IRC-1	Lynda Lo	Winnie Wong
F6	KBGC-2	LEE WONG	Candy Leung

G1	CLBC-1	Daisy Yu	Kelly Wong
G2	CdeR-3	Miranda Liu	Nancy Yeung
G3	KBGC-4	Daphne Leung	Joanna Nam
G4	STSA-1	Alice Wan	Erica Lau
G5	TMSA-2	Amy Wong	Sanlia Wong
G6	USRC-2	Yu Yin Ping	Winnie Wai

- Venue Assignment

Day 1 (Sunday 3rd October 2010)

Venue Time / Group	CdeR (12 rinks)		KBGC (6 rinks)		KCC (6 rinks)		USRC (3 rinks)	
	Men	Women	Men	Women	Men	Women	Men	Women
09:00 – 10:30	A,B,C,D	-	E,F	-	G,H	-	I	-
10:30 – 12:00	J,K	A,B	-	C,D	-	E,F	-	G
12:00 – 13:30	A,B,C,D	-	E,F	-	G,H	-	I	-
13:30 – 15:00	J,K	A,B	-	C,D	-	E,F	-	G
15:00 – 16:30	A,B,C,D	-	E,F	-	G,H	-	I	-
16:30 – 18:00	J,K	A,B	-	C,D	-	E,F	-	G
18:00 – 19:30	A,B,C,D	-	E,F	-	G,H	-	I	-

Day 2 (Sunday 10th October 2010)

Venue Time/ Section	CdeR (12 rinks)		KBGC (6 rinks)		KCC (6 rinks)		USRC (3 rinks)	
	Men	Women	Men	Women	Men	Women	Men	Women
09:00 – 10:30	J,K	A,B	-	C,D	-	E,F	-	G
10:30 – 12:00	A,B,C,D	-	E,F	-	G,H	-	I	-
12:00 – 13:30	J,K	A,B	-	C,D	-	E,F	-	G
14:15 – 15:45	Knockout	-	-	-	-	-	-	-
15:45 – 17:15	QF	QF	-	-	-	-	-	-
17:15 – 18:45	SF	SF	-	-	-	-	-	-
18:30 – 20:00	F	F	-	-	-	-	-	-

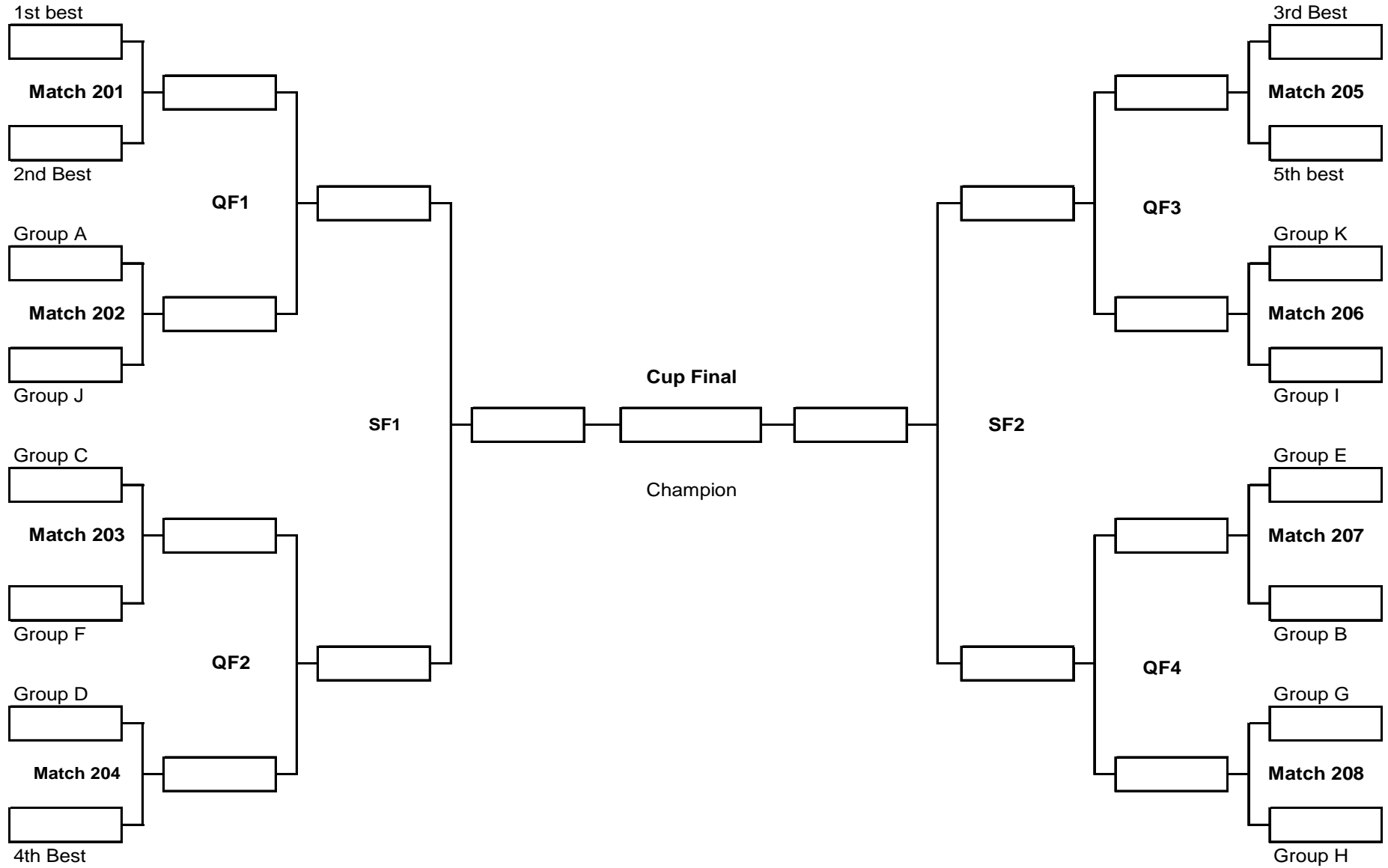
Rules of Play

1. In round robin stage, all games within a group are in round robin format. All round robin games shall comprise of 8 ends. A team wins the game if it has more shots at the completion of that game. The game is tied if both teams score the same number of shots.
2. Two points are awarded to the winning team or one point each in the case of a tie game.
3. After all round robin games are completed, all teams within a group will be ranked based on higher of 'Total Points', 'Shot Difference' (i.e. 'Shots For' minus 'Shots Against'), 'Shots For', lower 'Shots Against' and higher 'Ends Won'. The top team of each group is qualified for the knock-out stage.
4. The result of the 2nd position of each group will be ranked again. For men's section, the best 5 teams in this pool are also qualified. For women's section, only the best 2nd position team is qualified.
5. Winners of the first knockout game are qualified for the Cup competition. Losers will enter the Plate competition. Single knockout format is adopted subsequently.
6. All knock-out stage games except the Final game comprise of 8 ends. 10 ends are played in Final. Winner is determined by better shot aggregates at end of the game. In case of tie, an extra end (with a toss to decide which team has the option to deliver the jack) is played.
7. Two trial ends of two bowls per player are allowed before the start of the first game only.
8. No visit to the head for the lead. The skip may only visit the head after his/her third bowls is delivered.
9. Burn end will have 2 shots deducted from the defaulting team. Dead end is not replayed.

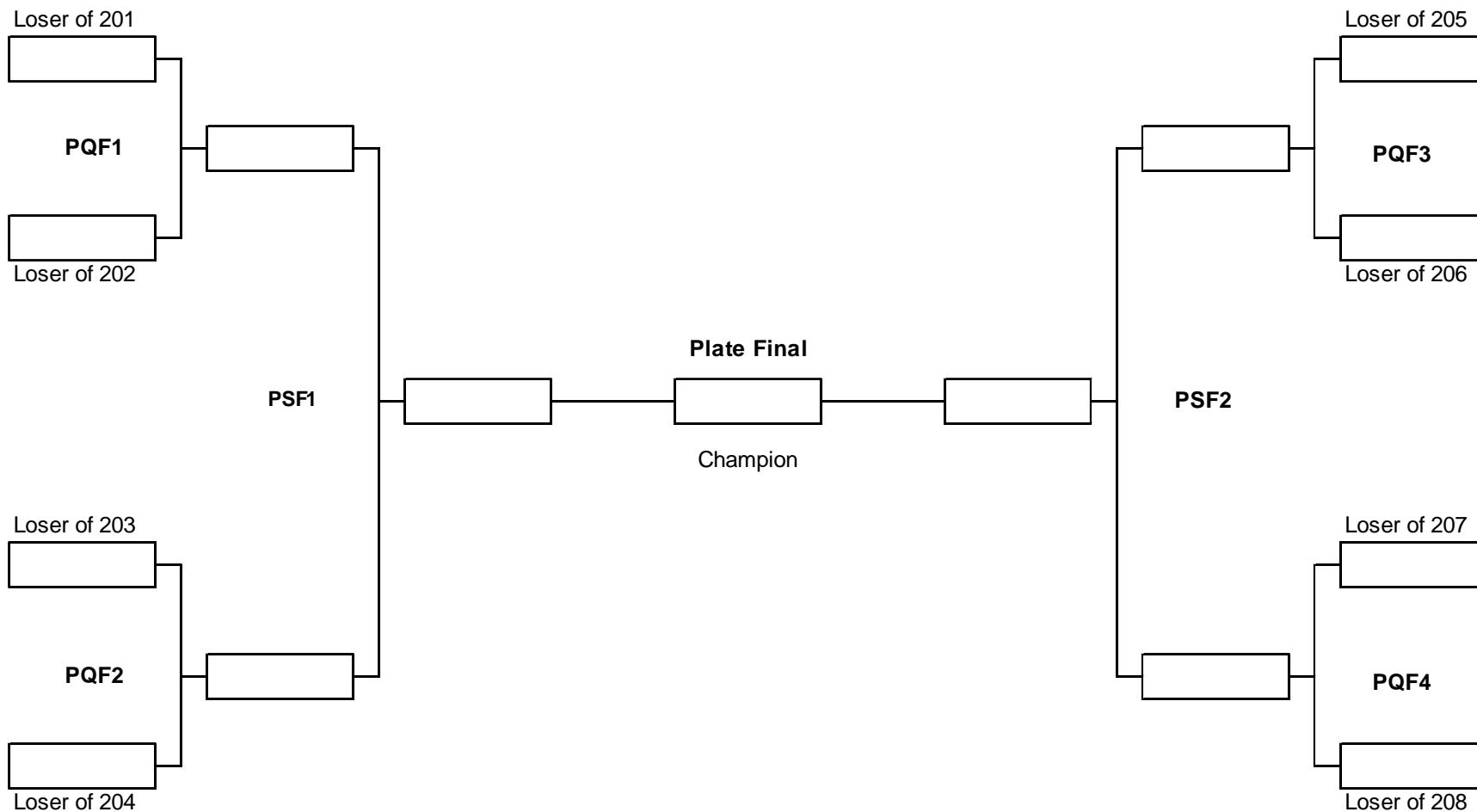
General Rules

1. All games shall be played under the Law of the World Bowls.
2. All matters relating to the tournament should be reported to the Tournament Controlling Panel. The Controlling Panel will compose of VP, Technical, HKLBA, the Tournament Director and one other appointed person.
3. Home Team shall complete the scorecard. This scorecard shall be fully signed by both skips and immediately returned to the Umpire at the completion of each game.
4. All games should start promptly. In case the assigned rink is ready before the schedule start time or is available after the schedule start time, a team arriving 10 minutes later than the schedule start time or available time, shall forfeit the game to its opponent. The opponent shall be awarded 2 points and 5 shots. The defaulting team shall be given -5 shots penalty and no point.
5. Only one substitution per team is allowed. The substitute can play in any position. The player being replaced cannot re-join the completion. However, the Tournament Controlling Panel must be informed prior to this substitution. Also, only the Cup champion players are qualified for the Hong Kong Classic Pairs Competition.
6. Dress code as stipulated by HKLBA must be observed.

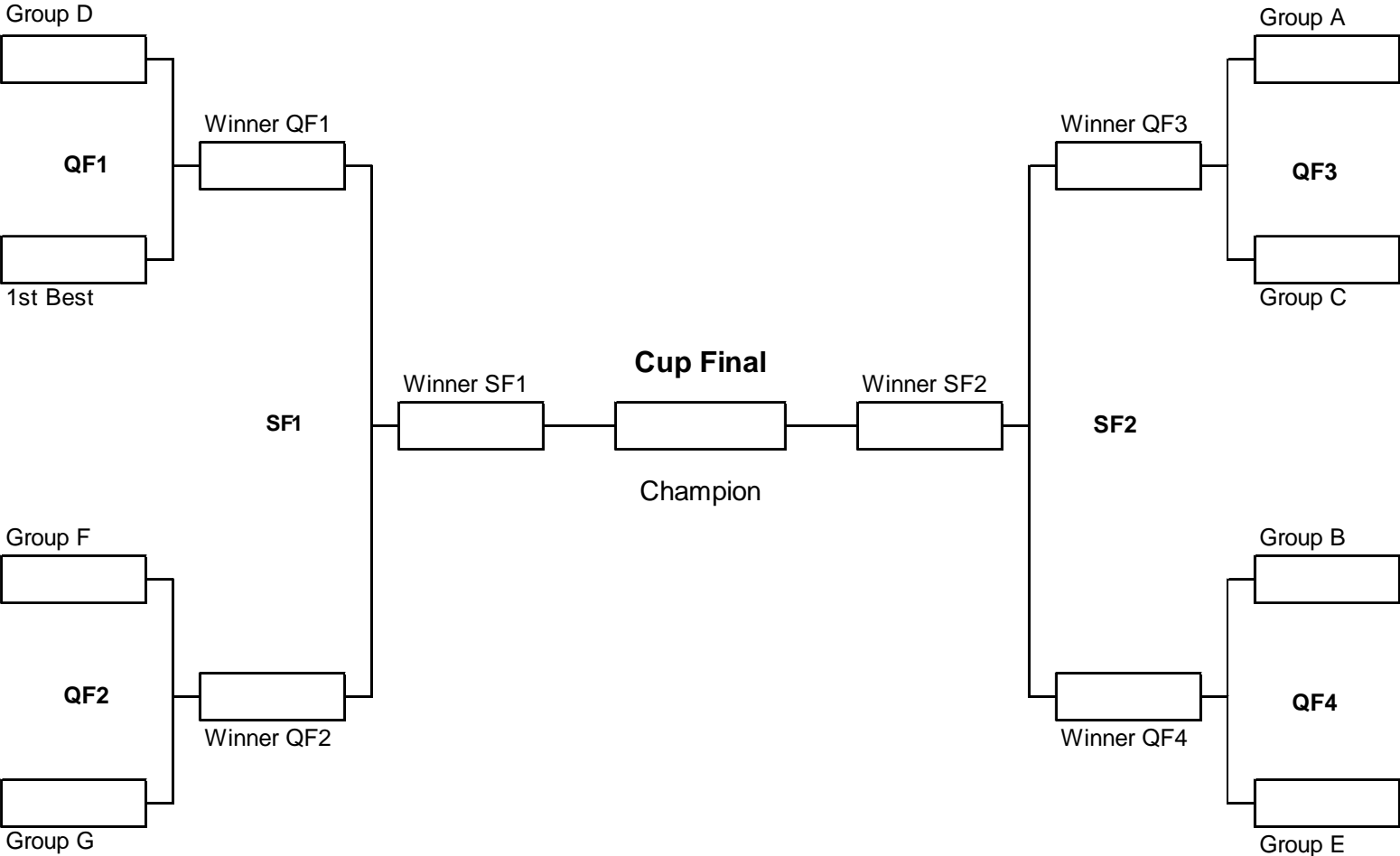
Men's Section - Cup Competition Knockout Stage Fixture



Men's Section - Plate Competition Knockout Stage Fixture



Women's Section - Cup Competition Knockout Stage Fixture



Women's Section - Plate Competition Knockout Stage Fixture

